

# Avatar Compact

## Description

Tip up seat with high backrest. Compact version of AVATAR basic seat, with measures designed to be installed on narrow tread stands or for sports venues that need to optimize its audience capacity.

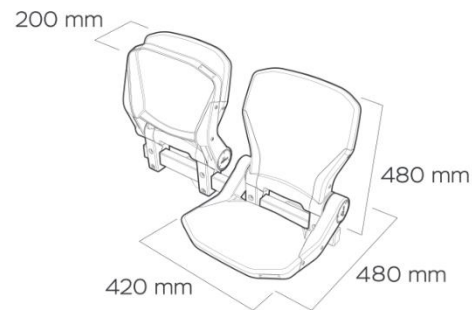
Seat and backrest manufactured by injection, moulded in high quality stabilized plastic (copolymer polypropylene) fixed by a structure made of polyamide with a 30% fiberglass load (PA). Spring folding system.

The rail fixing system allows obtaining a customized and flexible audience capacity, according to the event. The Avatar seat optimizes the space between rows – when folded it only occupies 200 mm of depth.



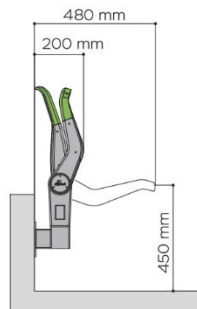
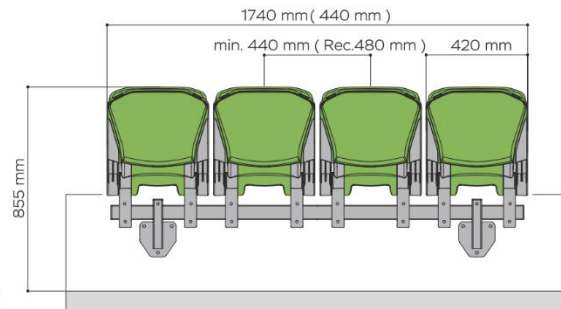
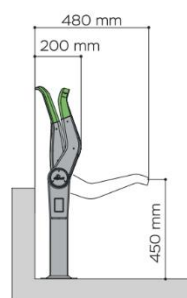
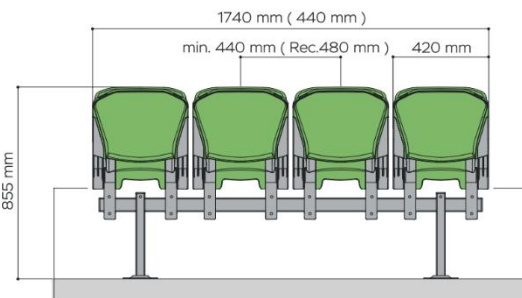
## Dimensions

- Width: 420 mm
- Distance between axes: minimum 440 mm
- Height of the backrest: 480 mm
- Depth (opened): 480 mm
- Depth (closed): 200 mm



### FLOOR MOUNTED (rail or individual bracket)

### RISER MOUNTED (rail or individual bracket)



## Complements

### NUMBERING (Optional)

- Aluminium numbering plate fixed with 2 rivets. 60x20x0,60 mm
- Row numbering (dimensions 55 x 58 mm) with black aluminium base and tubular rivets.



### ARMRESTS (Optional)

The armrests are fixed with 2 screws on the backrest. Manufactured by injection in polyamide reinforced with fiberglass of great resistance. Black colour.

### CUPHOLDER (Optional)

The cupholder is independent of the seat and fixed on the rail. Black colour.



# Avatar Compact

## Mechanical strength

Mechanical resistance according to UNE-EN 12727 "Aligned Seats. Strength and Durability Requirements"

Tests are performed at level 4, the maximum, for heavy use.

## Fire resistance

UNE-EN 1021 Part 1 & 2 (please contact commercial department for other fire certifications).

## UV Resistance

Light stabilizer for polypropylene that protects the material from degradation caused by solar radiation and other atmospheric agents, prolonging the useful life of the product.

Masterbatches for injection of polypropylene with high resistance to light and temperature.

Resistance according to European Standard EN ISO 4892-2 and average colour variation  $dE < 5$  (CIELAB colour space)\*.

\* Exposure in test: 2300 hours according to UNE-EN 13200-4

## ISO 9001 Quality and ISO 14001 Environmental

Managing systems and Safety systems form an integral part of the way we manage our business, certified by SGS.



## FIBA (International Basketball Federation) APPROVED EQUIPMENT

