

## Avatar Suite

## Description

Tip up seat with high backrest, recommended for first class sports facilities or VIP areas.

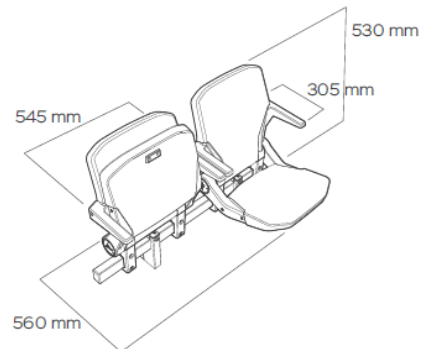
The seat and backrest are made of an internal steel frame covered with injected polyurethane foam with a density of 50 kg/m<sup>3</sup>. Upholstered with leatherette or synthetic leather covers with high resistance to atmospheric agents. The dimensions of the seat are optimized to improve spectator comfort. The fixing system to the support is made of polyamide with a 30% fiberglass load.

The rail fixing system allows obtaining a customized and flexible audience capacity, according to the event.

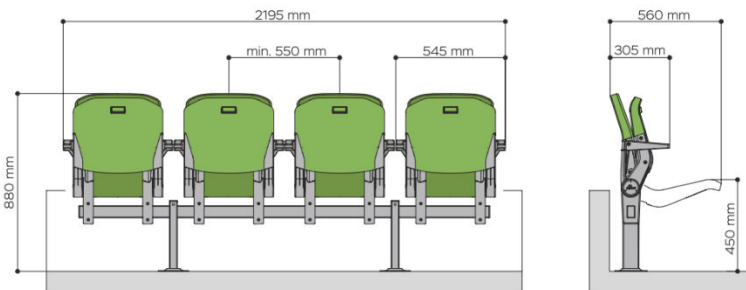


## Dimensions

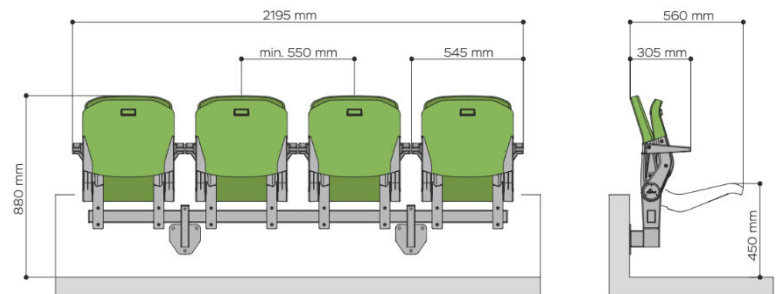
- Width: 445 mm
- Width with armrests: 545 mm
- Distance between axes:
  - o minimum 550 mm (2 armrests)
  - o minimum 505 mm (shared armrest)
- Height of the backrest: 530 mm
- Depth (opened): 560 mm
- Depth (closed): 215 mm
- Depth with armrests (closed): 305 mm



## FLOOR MOUNTED (rail or individual bracket)



## RISER MOUNTED (rail or individual bracket)



## Complements

## NUMBERING (Optional)

- Aluminium vandal-resistant adhesive plate. 60x20x0,60 mm
- Row numbering (dimensions 55 x 58 mm) with black aluminium base and tubular rivets.



## ARMRESTS (Optional)

The armrests are fixed with 2 screws on the backrest. Manufactured by injection in polyamide reinforced with fiberglass of great resistance. Black colour.

## CUPHOLDER (Optional)

The cupholder is independent of the seat and fixed on the rail. Black colour.



## LOGO

Embroidered logo on the fabric of the backrest.

## Mechanical strength

Mechanical resistance according to UNE-EN 12727 "Aligned Seats. Strength and Durability Requirements"

Tests are performed at level 4, the maximum, for heavy use.

## Fire resistance

UNE-EN 1021 Part 1 & 2 (please contact commercial department for other fire certifications).

## ISO 9001 Quality and ISO 14001 Environmental

Managing systems and Safety systems form an integral part of the way we manage our business, certified by SGS.



## FIBA (International Basketball Federation) APPROVED EQUIPMENT

