

## Description

Folding seat for use in all type of sports venues. Rounded edges to prevent cuts during normal and prolonged use.

Base and backrest are manufactured by injection moulding in copolymer polypropylene and UV-stabilising additives.

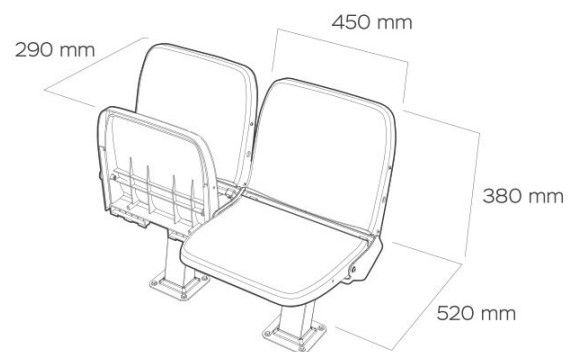
The fixing system adapts to any geometry or need, being able to be installed on individual brackets or benches, floor or riser mounted available, offering in each case the ideal solution for the venue.

Brackets and side folding structures are made of S-235-JR or S-275-JR quality steel. The union of the metal parts of the individual supports and benches is applied by MIG welding with 1 mm thick carbon steel wire protected in an atmosphere of Argon C-15 gas.

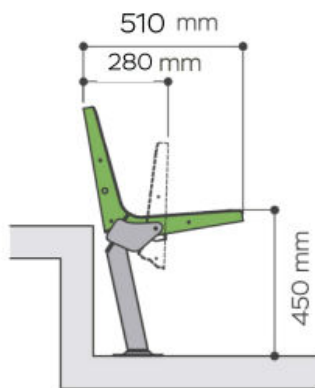


## Dimensions

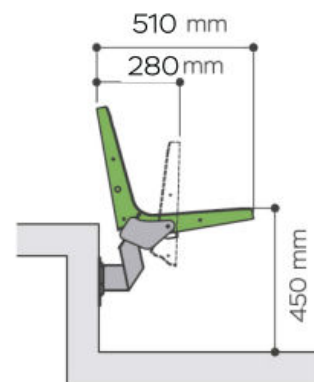
- Width: 450 mm
- Distance between axes: minimum 450 mm
- Height of the backrest: 380 mm
- Depth (opened): 520 mm
- Depth (closed): 290 mm



### FLOOR MOUNTED (rail or individual bracket)



### RISER MOUNTED (rail or individual bracket)



## Complements

### NUMBERING (Optional)

- Aluminium numbering plate fixed with 2 rivets. 40x20x0,60 mm



## Mechanical strength

Mechanical resistance according to UNE-EN 12727 "Aligned Seats. Strength and Durability Requirements"

Tests are performed at level 4 for heavy use.

## Fire resistance

UNE-EN 1021 Part 1 & 2 (please contact commercial department for other fire certifications).

## UV Resistance

Light stabilizer for polypropylene that protects the material from degradation caused by solar radiation and other atmospheric agents, prolonging the useful life of the product.

Masterbatches for injection of polypropylene with high resistance to light and temperature.

Resistance according to European Standard EN ISO 4892-2 and average colour variation  $dE < 5$  (CIELAB colour space)\*.

\* Exposure in test: 2300 hours according to UNE-EN 13200-4

## ISO 9001 Quality and ISO 14001 Environmental

Managing systems and Safety systems form an integral part of the way we manage our business, certified by SGS.



## FIBA (International Basketball Federation) APPROVED EQUIPMENT

